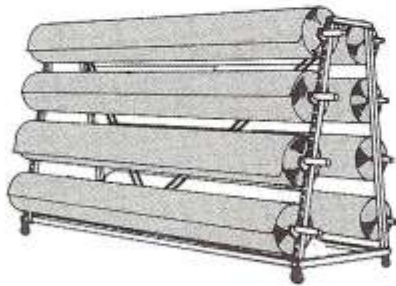
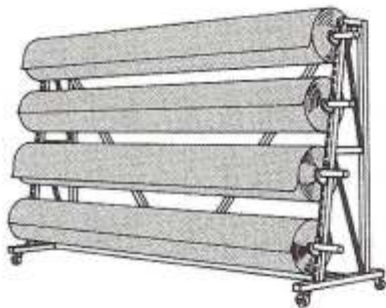


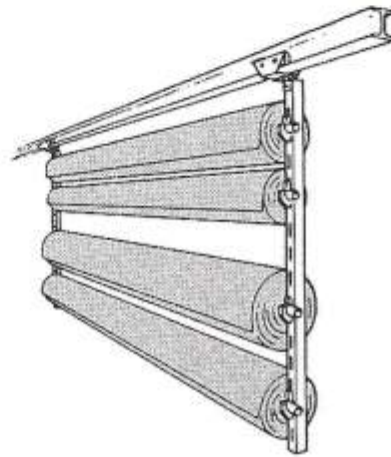
# **Floor Covering Display Fixtures**



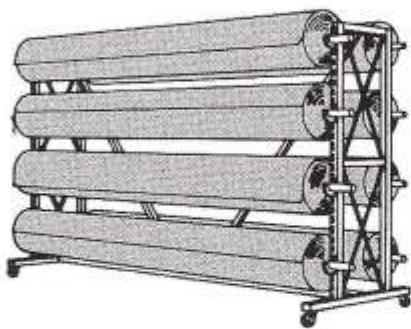
**Mobile Rack Type "X"**



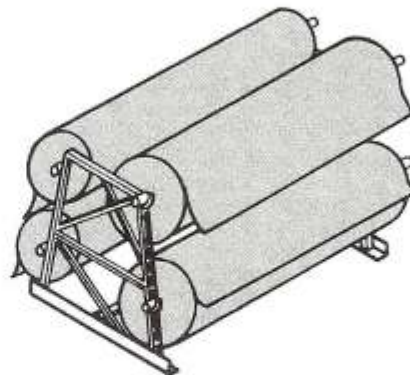
**Mobile Rack Type "B"**



**Suspended Trak-Rail Rack  
with Vertically Adjustable  
Spindles and Supports**



**Mobile Rack Type "K"**



**Grass Rack**



**PETERSON  
MANUFACTURING  
COMPANY**

FAB-MASTER • LUBICK

1-800-826-9086

Fab-Master div. of NNM Peterson Mfg. Co.  
24133 W. 143rd St. Plainfield, IL 60544

[www.Peterson-Mfg.com/Fabmaster](http://www.Peterson-Mfg.com/Fabmaster)

# **ROL-RAK<sup>®</sup>**

## **Floor Covering Display Fixtures**

### **DISPLAYS & SELLS**

ROL-RAK is the efficient way to maximize a small area for displaying your carpets in an attractive, compelling way - one designed to make it easier to shop, easier for you to sell.

### **AVOID DAMAGE - INCREASE PROFIT**

ROL-RAK prevents loss due to carpet damage, displaying the carpets off-the-floor to eliminate crushing and soiling.

### **STRONG - SAFE**

ROL-RAK fixtures are built to last. They're heavy, structural, electrically-welded steel frames. The vertical members are punched on 4" centers for adjustment. The 3 1/2" diameter tubes provide rigid support for the heaviest rolls of carpet. The supporting saddles have roller bearings and friction type brakes.

### **EASY SETUP**

ROL-RAK is designed for ease of installation and operation. The saddles have hook type suspension for quick and easy adjustment. No bolts or tools required. One person can display the individual rolls with fingertip control!

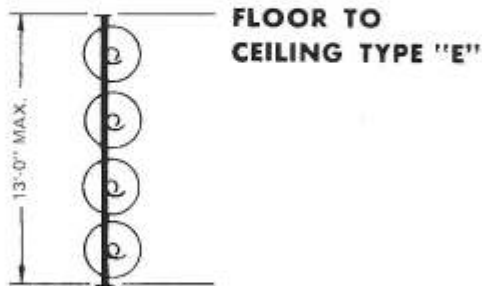
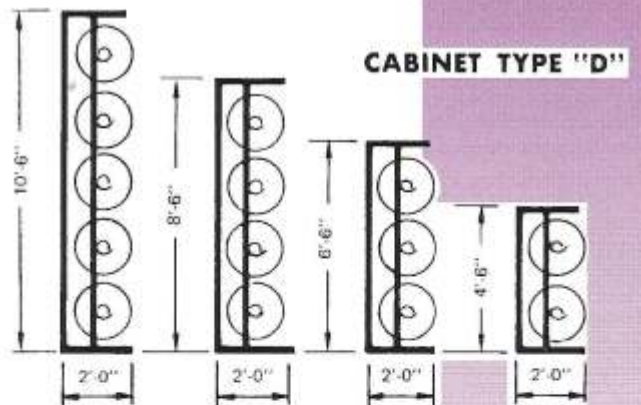
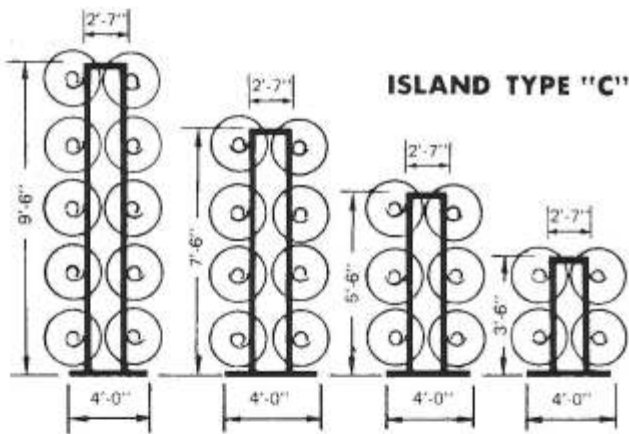
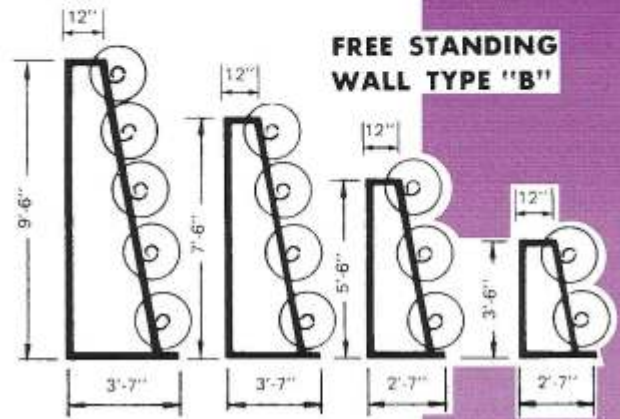
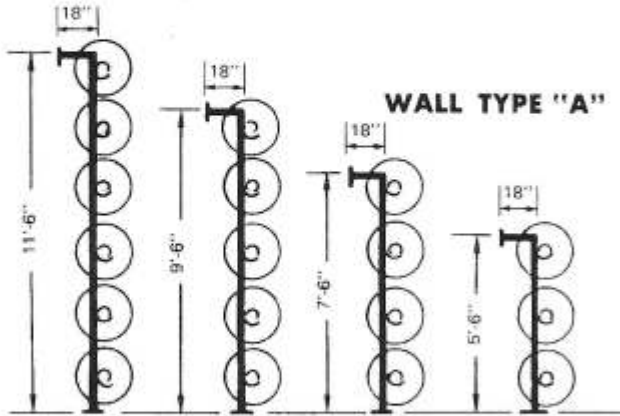
There are many more reasons why ROL-RAK can be a permanent profit fixture for you. After using the system, you will give us new reasons.

ROL-RAK accessories are also available.





# Stationary Units

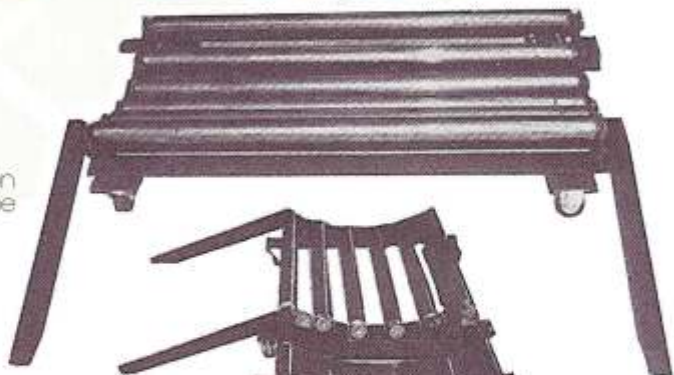


We will customize any rack to your specifications

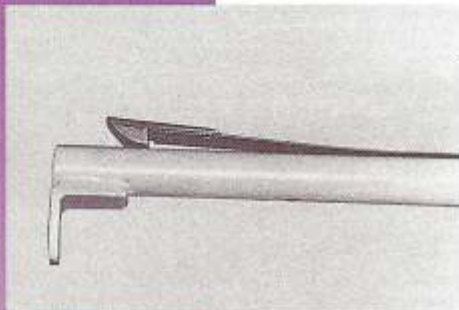
# Carpet Accessories



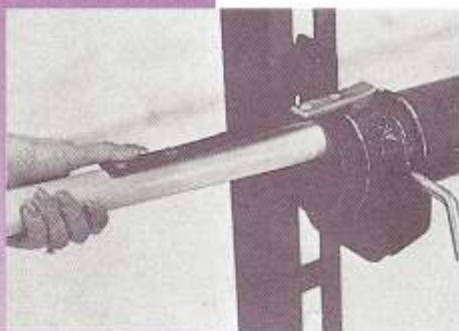
**NO. 16483  
OPEN TYPE SADDLE**  
for removable tube. Clips on tubes optional and must be specified. Carpet tape normally used to attach carpet to tube.



**NO. 17944  
CARPET CRADLES**  
Sold in pairs - two 4' sections for easy storage. Cradles have joining bars to lock together into one 8' section for handling 12' goods. Folding bars form ramp for easy carpet loading. Comes complete with casters and floor locks.



**NO. 11620  
CARPET LIFTING HANDLES**  
Sold in pairs to facilitate the moving of small rolls on Fab-Master's "TRAK-RAK" and "ROL-RAK" carpet fixtures. Safety spring prevents accidental release.



**NO. 26496-S  
REWIND DOLLY**

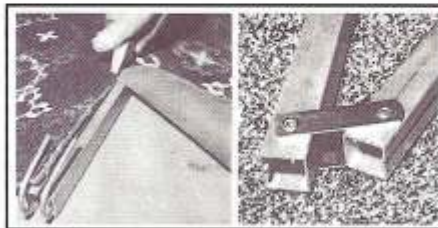
with 4 swivel casters. Wheels are made of phenolic materials and will not mark or damage floors. Each dolly is furnished with a retractable locking device to prevent creeping as carpet is being rolled. Reroll tube furnished for 12' or 15' goods.



**NO. 26496  
ALL-STEEL REWIND DOLLY**  
used with 12 foot or 15 foot reroll tube 2 3/8" diameter.



**NO. MKE PORTABLE ELECTRIC CRANK**  
with fingertip control and reversible motor for 110 volt, single-phase current, 3/4 H.P., 25 RPM output speed. Furnished in 6 different lengths (dimension A) 1'-4", 2'-5", 3'-5", 4'-5", 5'-8", 6'-5". Ten foot cord furnished.



**DMI CUTTER BAR**